

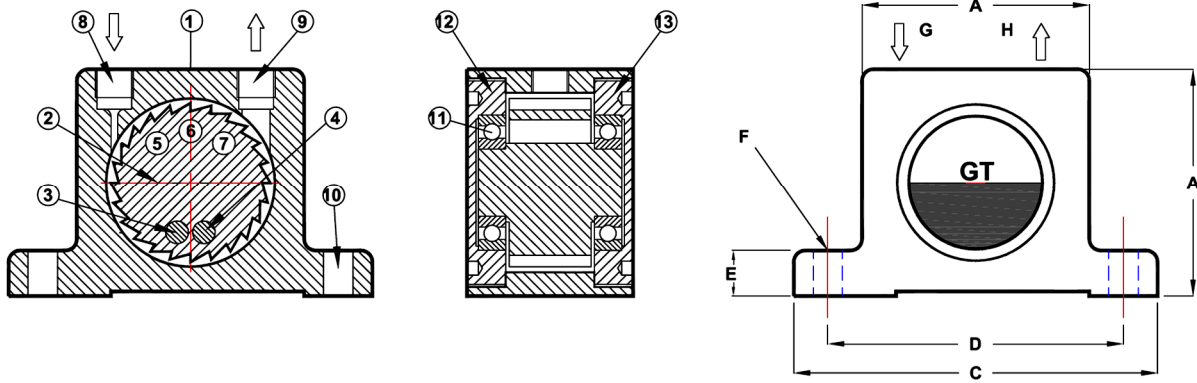


## **PNEUMATIC TURBINE VIBRATORS**

### **MODEL GT**

- Aluminium Body
- Rotary Vibrator
- Frequency / Force adjustable by air pressure
- Suitable for temperature up to 150°C
- Noise level 60—70 dBA with silencer fitted
- Force 135 N to 12000 N
- No Lubrication Required

On request can be supplied with ATEX certification  
To ATEX 95 94/9/EC  II 2 G & D Zone 1, 2 & 21, 22



1. Extruded Aluminium Alloy Body
2. Hard Coated Aluminium Turbine Wheel
- 3/4. High Density Mass Positive Movement
- 5-7. Cavities Giving Negative Moment
8. Air Inlet
9. Air Exhaust

10. Base Mounting Holes
11. Special Pre-Lubricated Matched Sealed Bearings

**Hard Coated Aluminium Endplates**

12. With Left Hand Thread
13. With Right Hand Thread

**PERFORMANCE DATA**

| Type  | Frequency V.P.M. |                 |                 | Centrifugal Force |               |            |               |            |               | Air Consumption / Minute |              |               |              |               |              |
|-------|------------------|-----------------|-----------------|-------------------|---------------|------------|---------------|------------|---------------|--------------------------|--------------|---------------|--------------|---------------|--------------|
|       | 2 Bar<br>29 PSI  | 4 Bar<br>58 PSI | 6 Bar<br>87 PSI | 2 Bar<br>N        | 29 PSI<br>lbs | 4 Bar<br>N | 58 PSI<br>lbs | 6 Bar<br>N | 87 PSI<br>lbs | 2 Bar<br>litr            | 29 PSI<br>CF | 4 Bar<br>litr | 58 PSI<br>CF | 6 Bar<br>litr | 87 PSI<br>CF |
| GT4   | 14000            | 14430           | 15000           | 135               | 30            | 180        | 40            | 200        | 44            | 33                       | 1.1          | 58            | 2            | 83            | 2.9          |
| GT6   | 11500            | 12000           | 12500           | 130               | 29            | 175        | 39            | 210        | 47            | 33                       | 1.1          | 58            | 2            | 83            | 2.9          |
| GT8   | 36000            | 42000           | 46000           | 990               | 222           | 2060       | 462           | 2910       | 652           | 46                       | 1.6          | 80            | 2.8          | 112           | 3.9          |
| GT10  | 27500            | 35000           | 37500           | 840               | 188           | 1390       | 312           | 2400       | 538           | 46                       | 1.6          | 80            | 2.8          | 112           | 3.9          |
| GT10S | 17000            | 23000           | 25000           | 650               | 146           | 1350       | 303           | 1950       | 437           | 46                       | 1.6          | 80            | 2.8          | 112           | 3.9          |
| GT13  | 26000            | 30000           | 33000           | 1400              | 313           | 2440       | 574           | 3730       | 836           | 120                      | 4.2          | 200           | 7.0          | 290           | 10.2         |
| GT16  | 17000            | 21500           | 24000           | 1220              | 274           | 2090       | 469           | 3160       | 708           | 120                      | 4.2          | 200           | 7.0          | 290           | 10.2         |
| GT16S | 11500            | 15500           | 17000           | 1100              | 247           | 1900       | 426           | 2700       | 605           | 120                      | 4.2          | 200           | 7.0          | 290           | 10.2         |
| GT20  | 17000            | 20000           | 23000           | 2170              | 487           | 4040       | 906           | 5520       | 1238          | 185                      | 6.6          | 325           | 11.4         | 455           | 15.9         |
| GT25  | 12000            | 15500           | 17000           | 2120              | 475           | 3510       | 787           | 5070       | 1137          | 185                      | 6.6          | 325           | 11.4         | 455           | 15.9         |
| GT25S | 8500             | 11000           | 13000           | 2250              | 504           | 3600       | 807           | 4900       | 1098          | 185                      | 6.6          | 325           | 11.4         | 455           | 15.9         |
| GT30  | 13000            | 14000           | 16000           | 3380              | 578           | 5430       | 1217          | 7540       | 1690          | 330                      | 11.5         | 530           | 18.5         | 745           | 26.0         |
| GT36  | 8000             | 10000           | 13000           | 3290              | 738           | 5360       | 1202          | 7190       | 1612          | 330                      | 11.5         | 530           | 18.5         | 745           | 26.0         |
| GT36S | 6100             | 7200            | 8300            | 4100              | 919           | 6200       | 1390          | 7500       | 1681          | 330                      | 11.5         | 530           | 18.5         | 745           | 26.0         |
| GT40  | 7700             | 8800            | 9500            | 4300              | 964           | 7300       | 1636          | 9800       | 2197          | 425                      | 15           | 700           | 24.7         | 970           | 34.2         |
| GT48  | 6000             | 7500            | 9700            | 4900              | 1098          | 7700       | 1726          | 10500      | 2354          | 425                      | 15           | 700           | 24.7         | 970           | 34.2         |
| GT48S | -                | 5600            | 6300            | -                 | -             | 7500       | 1681          | 12000      | 2691          | 425                      | 15           | 700           | 24.7         | 970           | 34.2         |

**DIMENSIONS**

| Type  | A   |      | B (Width) |      | C   |      | D   |      | E  |      | F (Hole Diameter) |      | G/H  | Weight |      |
|-------|-----|------|-----------|------|-----|------|-----|------|----|------|-------------------|------|------|--------|------|
|       | mm  | inch | mm        | inch | mm  | inch | mm  | inch | mm | inch | mm                | inch | BSP  | kg     | lbs  |
| GT4   | 40  | 1.57 | 28        | 1.10 | 70  | 2.75 | 56  | 2.20 | 10 | 0.39 | 6                 | 0.23 | 1/8" | .167   | .37  |
| GT6   | 40  | 1.57 | 28        | 1.10 | 70  | 2.75 | 56  | 2.20 | 10 | 0.39 | 6                 | 0.23 | 1/8" | .161   | .35  |
| GT8   | 50  | 1.97 | 33        | 1.30 | 86  | 3.38 | 68  | 2.68 | 12 | 0.47 | 7                 | 0.27 | 1/8" | .255   | .56  |
| GT10  | 50  | 1.97 | 33        | 1.30 | 86  | 3.38 | 68  | 2.68 | 12 | 0.47 | 7                 | 0.27 | 1/8" | .258   | .57  |
| GT10S | 50  | 1.97 | 33        | 1.30 | 86  | 3.38 | 68  | 2.68 | 12 | 0.47 | 7                 | 0.27 | 1/8" | .270   | .59  |
| GT13  | 65  | 2.56 | 42        | 1.65 | 113 | 4.45 | 90  | 3.54 | 16 | 0.63 | 9                 | 0.35 | 1/4" | .555   | 1.22 |
| GT16  | 65  | 2.56 | 42        | 1.65 | 113 | 4.45 | 90  | 3.54 | 16 | 0.63 | 9                 | 0.35 | 1/4" | .566   | 1.25 |
| GT16S | 65  | 2.56 | 42        | 1.65 | 113 | 4.45 | 90  | 3.54 | 16 | 0.63 | 9                 | 0.35 | 1/4" | .603   | 1.33 |
| GT20  | 80  | 3.15 | 56        | 2.20 | 128 | 5.04 | 104 | 4.09 | 16 | 0.63 | 9                 | 0.35 | 1/4" | 1.076  | 2.37 |
| GT25  | 80  | 3.15 | 56        | 2.20 | 128 | 5.04 | 104 | 4.09 | 16 | 0.63 | 9                 | 0.35 | 1/4" | 1.112  | 2.45 |
| GT25S | 80  | 3.15 | 56        | 2.20 | 128 | 5.04 | 104 | 4.09 | 16 | 0.63 | 9                 | 0.35 | 1/4" | 1.193  | 2.62 |
| GT30  | 100 | 3.94 | 73        | 2.87 | 160 | 6.30 | 130 | 5.12 | 20 | 0.79 | 11                | 0.43 | 3/8" | 2.201  | 4.84 |
| GT36  | 100 | 3.94 | 73        | 2.87 | 160 | 6.30 | 130 | 5.12 | 20 | 0.79 | 11                | 0.43 | 3/8" | 2.301  | 5.06 |
| GT36S | 100 | 3.94 | 73        | 2.87 | 160 | 6.30 | 130 | 5.12 | 20 | 0.79 | 11                | 0.43 | 3/8" | 2.525  | 5.56 |
| GT40  | 120 | 4.72 | 86        | 3.26 | 194 | 7.63 | 152 | 5.98 | 24 | 0.94 | 17                | 0.66 | 3/8" | 3.696  | 8.13 |
| GT48  | 120 | 4.72 | 86        | 3.26 | 194 | 7.63 | 152 | 5.98 | 24 | 0.94 | 17                | 0.66 | 3/8" | 3.858  | 8.49 |
| GT48S | 120 | 4.72 | 86        | 3.26 | 194 | 7.63 | 152 | 5.98 | 24 | 0.94 | 17                | 0.66 | 3/8" | 4.274  | 9.40 |

Data obtained on a heavy laboratory test block. Frequency and force will decrease on a less rigid mounting while the noise level will increase.