

Bracket Standard White Series

B-W/B Series

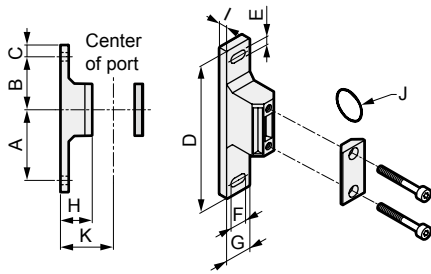
Joiner Standard White Series

J-W Series



Dimensions and applications

T type bracket set



Material: Polyamide resin (B110-W)
 Aluminum alloy die-casting (B310 to B810-W)
 Painting (B310 to B810-W)

● Model No.: B110-W / B310-W / B410-W / B810-W

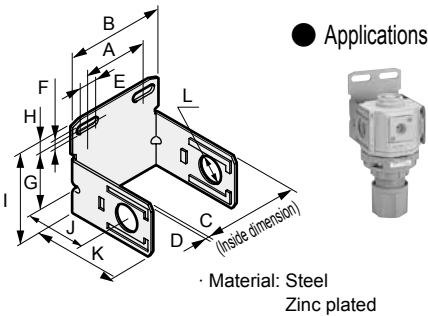
● Applications



Note: Select B410-W when using the 3000-W Series and 4000-W Series combined.

Model No.	Compatible model	A	B	C	D	E	F	G	H	I	J	K	Wt. (kg)
B110-W	1000 Series	45	35	10	100	5.5	7.5	16	25	7.5	JASO-2013	40	0.024
B310-W	2000 Series	60	45	10	125	7	14	22	27	7	JISB2401-P21	45	0.086
	3000 Series												
B410-W	4000 Series	60	45	10	125	7	14	22	37	7	JISB2401-P21	55	0.094
B810-W	6000 Series	70	50	15	150	9	14	27	37	8	AS568-127	65	0.169
	8000 Series												

C type bracket



● Applications

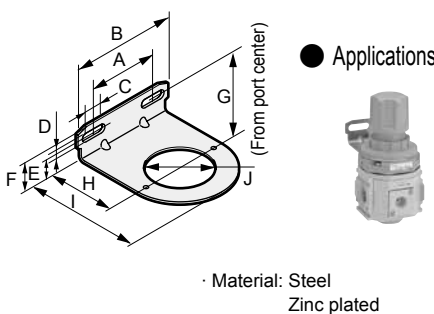


● Model No.: B120/B220/B320/B420/B620/B820

● Attachment: BW

Model No.	Compatible model	A	B	C	D	E	F	G	H	I	J	K	L	Wt. (kg)
B120	1000 Series	44	68	40	t2.0	10	6.5	35	8.5	61.5	40	60	φ19.5	0.1
B220	2000 Series	28	54	50	t2.3	10	7	33	8	63	45	69	17.3	0.15
B320	3000 Series	34.5	67	63	t2.3	16.5	7	45	8.5	75.5	45	69	φ21.7	0.17
B420	4000 Series	55	84	80	t2.3	14.0	7	45	8.5	75.5	55	79	φ21.7	0.21
B620	6000 Series	68	104	90	t2.3	16	9	54	11	97.5	60	97	φ35	0.34
B820	8000 Series	68	104	100	t2.3	16	9	50	11	93.5	65	102	φ35	0.36

L type bracket



● Applications



● Model No.: B130/B230/B330/B430

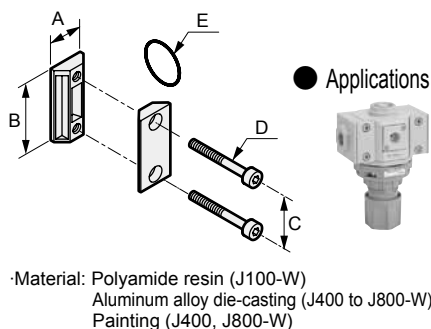
● Attachment: B3W

Loosen the mounting nut to remove the knob. After inserting the L type bracket, fix it by the mounting nut. Press the knob in manually after fixing.

Refer to page 283 for details.

Model No.	Compatible model	A	B	C	D	E	F	G	H	I	J	Others	Wt. (kg)
B130	1000 Series	44	68	10	6.5	16	24.5	45	40	59	φ26.5		0.04
B230	2000 Series	28	54	10	7	18	26	52	45	69	38		0.06
B330	3000 Series	34.5	67	16.5	7	17.5	26	58 (63.5)	45	76	φ40	Values in () are for W3000/3100	0.07
B430	4000 Series 6000 Series	55	84	14	7	17.5	26	58	55	94	φ47		0.11

Joiner set



● Applications



● Model No.: C1000-J100-W

C4000-J400-W

C8000-J800-W

Model No.	Compatible model	A	B	C	D	E	Weight (kg)
C1000-J100-W	1000 Series	10	36	26	M3.5	JASO-2013	0.011
C4000-J400-W	2000 Series	21	44	32	M5	JIS B2401-P21	0.036
	3000 Series						
	4000 Series						
C8000-J800-W	6000 Series	26	65	50	M6	AS568-127	0.094
	8000 Series						

- F.R.L
- F (Filtr)
- R (Reg)
- L (Lub)
- PresSW
- Shutoff
- SlowStart
- FimResistFR
- Oil-ProhR
- MedPresFR
- No Cu/ PTFE FRL
- Outdrs FR
- F.R.L (Related)
- CompFRL
- LgFRL
- PrecsR
- VacF/R
- Clean FR
- ElecPneuR
- AirBoost
- SpdContr
- Silncr
- CheckV/ other
- Jnt/tube
- AirUnt
- PrecsCompn
- Mech/ ElecPresSw
- ContactSW
- AirSens
- PresSW Cool
- AirFloSens/ Contr
- WaterRtSens
- TotAirSys (Total Air)
- TotAirSys (Gamma)
- RefrDry
- DesicDry
- HiPolymDry
- MainFiltr
- Dischrg etc
- Ending